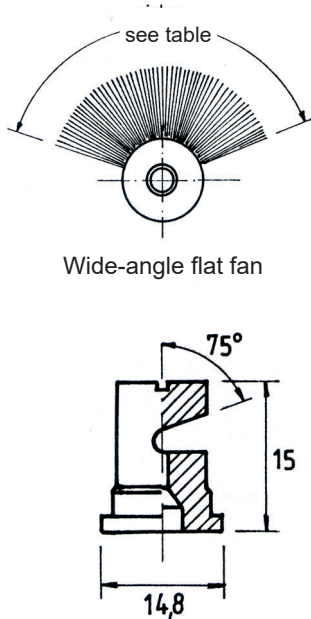


**Tongue-shaped nozzle mouthpiece CZ** Material: brass, stainless steel, plastic, others on request

Illu. 1



Code resp. size	Ø (mm)	Flow rate $\dot{V}$ (l/min.) at pressure p (bar)										Angle at p		
												bar	bar	bar
		0.2	0.3	0.5	0.7	1	1.5	2	3	4	0.5	1.5	4	
CZ 0.5	0.6					0.20	0.25	0.30	0.40	0.50			90°	120°
CZ 1	0.7				0.30	0.35	0.40	0.50	0.60	0.75			105°	125°
CZ 1	0.8				0.40	0.45	0.50	0.60	0.75	1.00			110°	130°
CZ 1.5	1.0			0.50	0.60	0.70	0.80	1.00	1.20	1.50			75°	110° 130°
CZ 2	1.2			0.60	0.70	0.90	1.00	1.30	1.50	2.00			85°	115° 130°
CZ 2.5	1.3		0.70	0.80	0.90	1.20	1.30	1.60	2.00	2.50			85°	120° 135°
CZ 3	1.4		0.80	0.90	1.20	1.40	1.60	2.00	2.30	3.00			85°	110° 125°
CZ 4	1.6		1.00	1.20	1.50	1.90	2.20	2.60	3.00	4.00			95°	125° 130°
CZ 5	1.8	1.00	1.30	1.60	1.90	2.30	2.70	3.30	3.80	4.50			115°	130° 140°
CZ 7.5	2.3	1.50	2.00	2.50	3.00	3.50	4.00	5.00	5.50	7.00			100°	120° 135°
CZ 10	2.6	2.00	2.50	3.00	4.00	4.50	5.00	6.50	7.50	9.50			115°	135° 145°
CZ 12	2.9	2.50	3.00	4.00	4.50	5.50	6.50	8.00	9.00	11.0			130°	140° 155°
CZ 15	3.3	3.00	4.00	5.00	5.50	7.00	8.00	10.0	11.0	14.0			100°	115° 125°
CZ 18	3.6	3.50	4.50	5.50	7.00	8.00	9.50	11.0	14.0	16.0			105°	120° 130°
CZ 20	3.8	4.00	5.00	6.50	7.50	9.00	10.5	13.0	15.0	18.0			110°	120° 135°
CZ 22	3.9	4.50	6.00	7.00	8.00	10.0	12.0	14.0	17.0	20.0			110°	125° 135°
CZ 24	4.0	5.00	6.50	7.50	9.00	11.0	13.0	16.0	18.0	22.0			115°	130° 145°
CZ 27	4.4	5.50	7.00	8.50	10.0	12.0	14.0	17.0	21.0	25.0			120°	135° 150°

Order example: (code - material) CZ 2.5 - brass

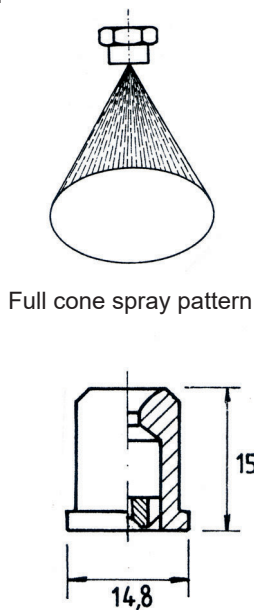
For adapters and accessories see page 7.1.

## Full cone nozzle mouthpiece CV

Material: brass, stainless steel, plastic, others on request

Spray angles  
30°-45°-60°-90°-120°  
others on request

Illu. 2



Code resp. size	B Ø (mm)	E Ø (mm)	Flow rate $\dot{V}$ (l/min.) at pressure p (bar)										
			0.3	0.5	1	1.5	2	3	4	5	6	7	10
CV 1	0.6	0.5			0.45	0.53	0.59	0.73	0.82	0.91	0.98	1.00	1.20
CV 2	0.8	0.5			0.65	0.79	0.90	0.99	1.10	1.20	1.30	1.40	1.70
CV 3	1.3	0.8			0.63	0.87	0.99	1.10	1.40	1.60	1.80	1.90	2.10 2.50
CV 4	1.8	1.0			0.95	1.10	1.40	1.60	2.00	2.30	2.60	2.80	3.10 3.70
CV 5	2.1	1.0			1.20	1.70	2.00	2.20	2.70	3.10	3.40	3.70	3.90 4.60
CV 6	2.3	1.0			1.40	1.90	2.30	2.60	3.00	3.50	3.80	4.30	4.50 5.00
CV 7	2.5	1.0	1.30	1.50	2.10	2.60	3.00	3.60	4.10	4.50	5.00	5.40	6.30
CV 8	2.8	1.2	1.60	2.00	2.60	3.10	3.50	4.10	4.60	5.00	5.50	5.90	6.80
CV 9	3.0	1.2	1.80	2.20	2.90	3.50	4.00	4.70	5.40	6.00	6.50	7.00	8.30
CV 10	3.2	1.2	2.40	2.90	3.60	4.50	5.00	5.80	6.50	7.00	7.50	8.00	9.50
CV 11	3.4	1.5	2.70	3.10	4.50	5.30	6.00	7.20	8.30	9.10	10.0	10.8	12.5

Order example: (code - spray angle - material) CV 9 - PP

For adapters and accessories see page 7.1.