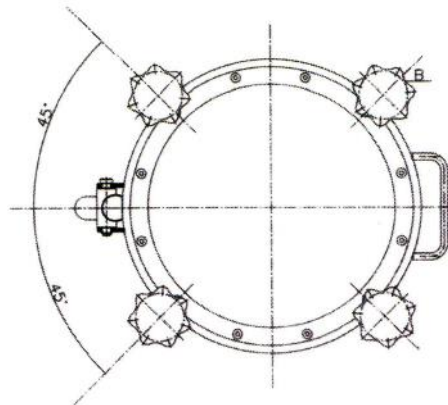
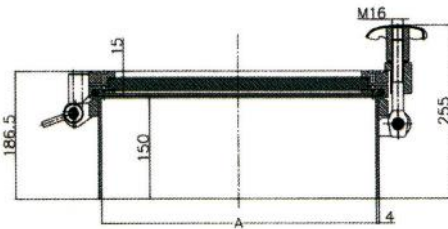


## Type M-G

### Pressure -1 / +3 bar

Dome cover made from stainless steel 1.4301 or 1.4401 with glass plate  
 Fastening screws may be swivelled to the side,  
 Plastic star handle with hinge and handle to swing cover open  
 Polished surface, other surface finishes available on request  
 Standard design comes with silicon seal



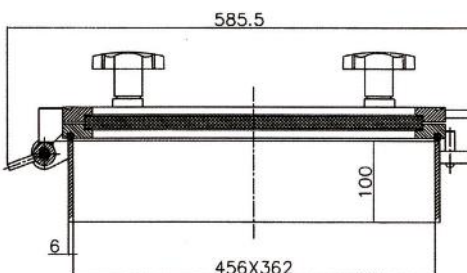
Shroud height variable, on request!

Number of screws B	4	4	6	6
Ø in mm A	400	450	500	600
Max. pressure (bar)	-1 / +3	-1 / +3	-1 / +3	-1 / +3

## Type M-GO

### Pressure -1 / +3 bar

Dome cover made from stainless steel 1.4301 or 1.4401 with glass plate  
**Oval design**  
 Fastening screws may be swivelled to the side  
 Plastic star handle with hinge and handle to swing cover open  
 Polished surface, other surface finishes available on request  
 Standard design comes with silicone seal



Shroud height variable, on request!

