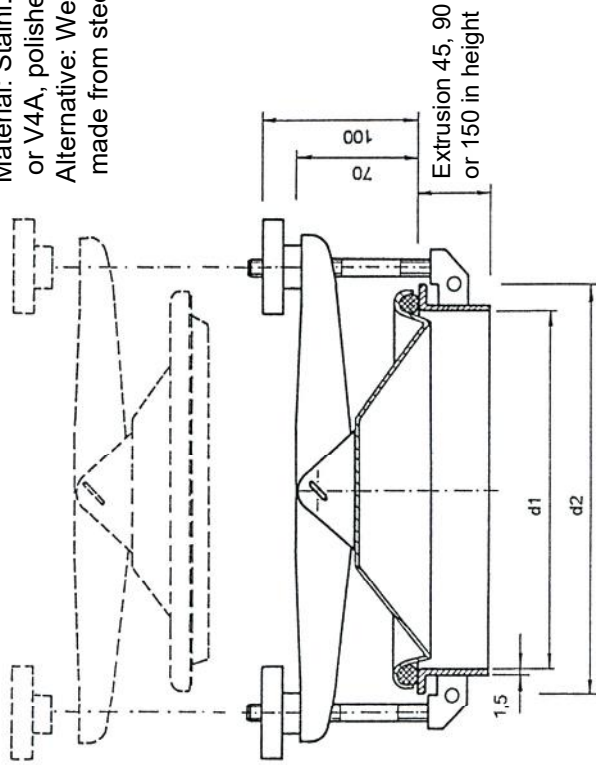


**MC**

**Dome Covers DZ 22, 30**

Pressure up to 0.35 bar

Material: Stainl. steel V2A  
or V4A, polished  
Alternative: Weld extrusion  
made from steel



Type	d1	d2
<b>DZ 22</b>	220	250
<b>DZ 30</b>	300	330

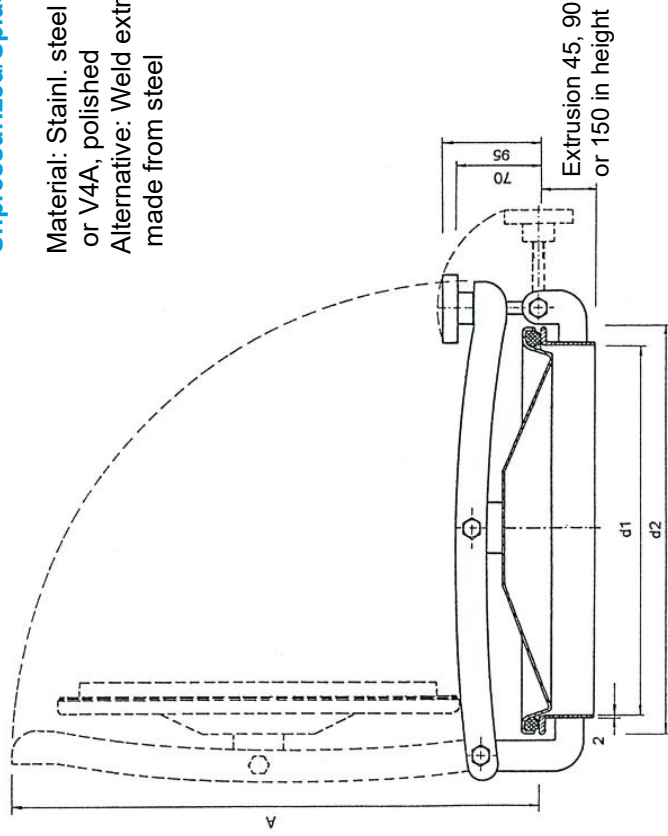
Illu. 3

**Dome Covers DL 40, 50, 60**

**MC**

Unpressurized/Splash proof

Material: Stainl. steel V2A  
or V4A, polished  
Alternative: Weld extrusion  
made from steel



Type	d1	d2	A
<b>DL 40</b>	400	430	470
<b>DL 50</b>	500	530	570
<b>DL 60</b>	600	630	670

Illu. 4