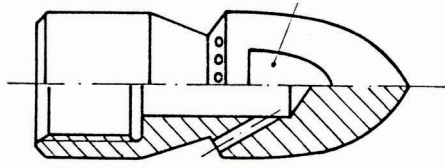
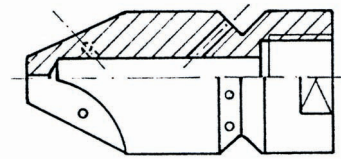


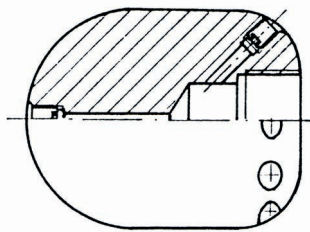
Please request further technical data!



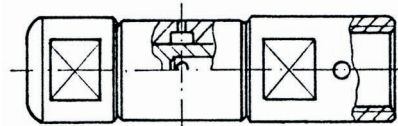
Grenade
type **GK**
(see more data on page 5.5)



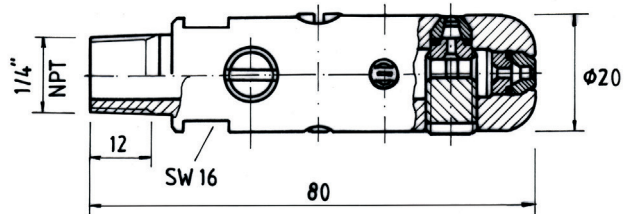
Milling nozzle
type **GF**



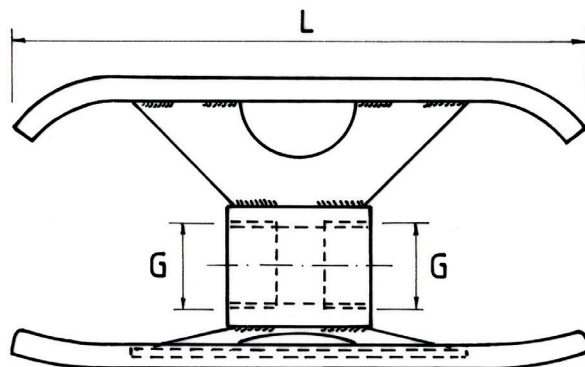
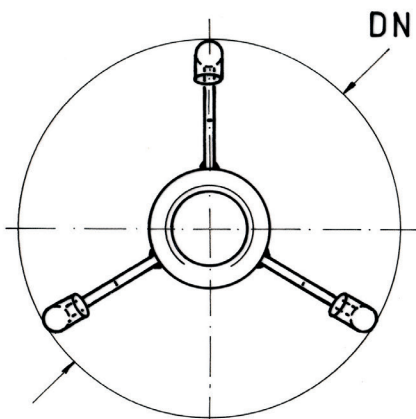
Bombs
type **GB**



Rotating high-pressure nozzles
type **GB**



Sewer cleaning nozzle **GHM**
with 5 screwed-in carbide metal nozzles for cleaning of pipes and sewers



Nozzle slide for sewer cleaning

On request