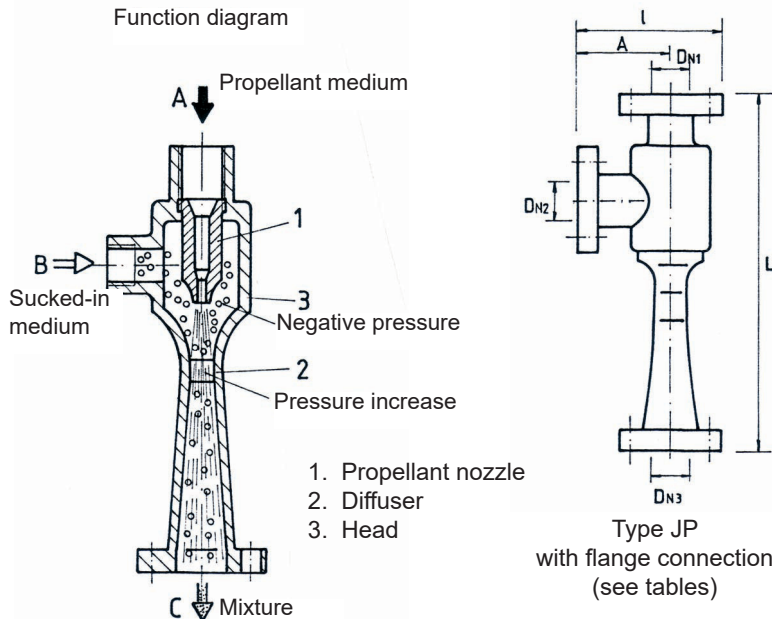
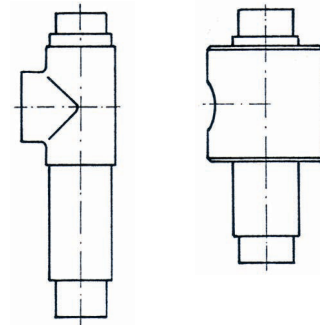


Liquid jet pumps for transportation and metering of liquids

MC's liquid jet pumps type **JP** are injector pumps without flexible parts. Liquid is injected from the propellant nozzle into the diffuser at high velocity, so that negative pressure arises inside of the injector head, and a second liquid is sucked in and mixed.



Type	L	DN1	DN2	DN3	Max. mixture flow M in kg/h
JPA	140	15	10	15	500
JPB	190	20	20	20	1,200
JPC	220	25	20	25	2,000
JPD	280	32	20	32	3,500
JPE	325	40	25	40	6,000
JPF	480	50	32	50	12,000
JPG	570	65	40	65	25,000
JPH	650	80	65	100	50,000



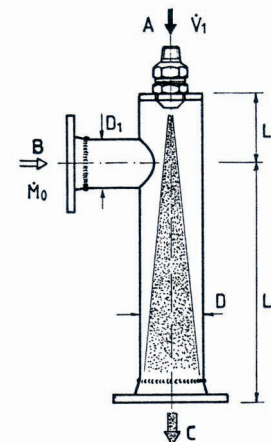
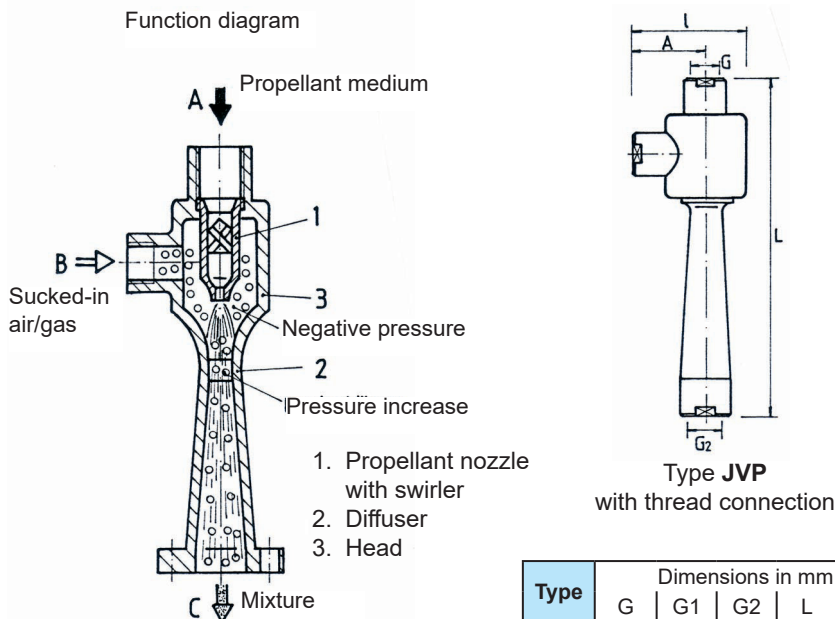
Request comparative performance tables!

Made from PVC for adhesive bonding and screwing. Request technical data!

Liquid Jet Gas Compressor JV

Liquid jet gas compressor for suction of air/gas by means of a liquid jet

MC's liquid jet compressor type **JV** creates without flexible parts a vacuum for air or gas compression. Liquid is injected into a diffuser from an interchangeable full cone nozzle with narrow spray angle. Negative pressure arises inside of the injector head and leads to the suction and deposit of air or gas.



Type	Dimensions in mm				
	G	G1	G2	L	A
JVP0	1/2"	1/2"	1/2"	240	65
JVP1	3/4"	1/2"	1/2"	260	70
JVP2	1"	3/4"	3/4"	310	80
JVP3	1 1/2"	1"	1"	405	105

Request design data!

Example for pipe integration with full cone nozzle type VP and head thread (see page 3.7 and 3.8)

We design according to your dimensions!