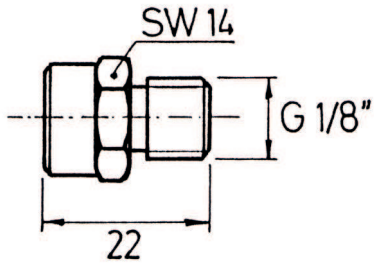


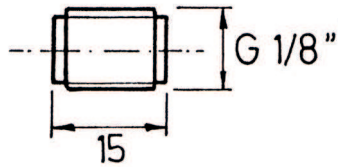
Illu. 1



Type **VA G 1/8"**

Flow rate (l/min.) at 3 bar
min. 0.73 max. 2.7

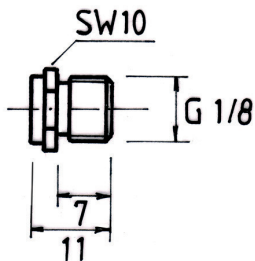
Illu. 2



Type **VD G 1/8"**

Flow rate (l/min.) at 3 bar
min. 0.73, max. 2.7

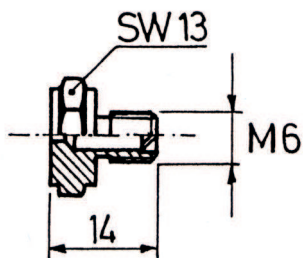
Illu. 3



Type **VK G 1/8"**

Flow rate (l/min.) at 3 bar
min. 0.73, max. 2.7

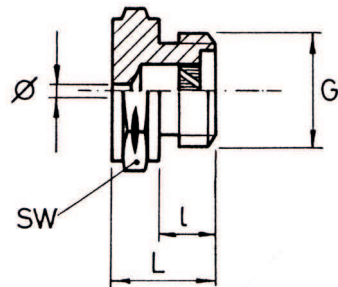
Illu. 4



Type **VG M6**

Flow rate (l/min.) at 3 bar
min. 0.73, max. 1.4

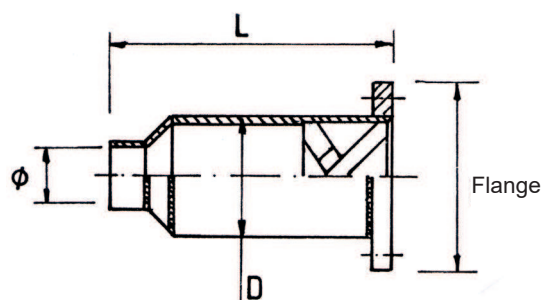
Illu. 5



Type **VG 1/4"**

Flow rate (l/min.) at 3 bar
min. 0.73, max. 7.2

Illu. 6



Welded design with flange connection

Type **VXF**

Available on request