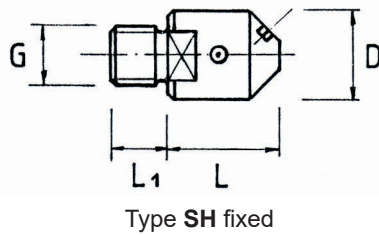


Illu. 2



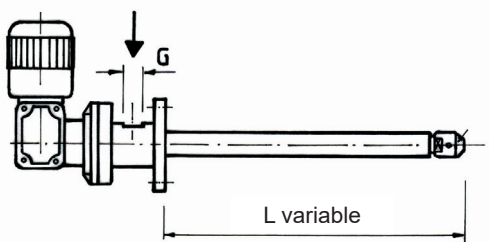
### High-pressure nozzle SH

Made from stainless steel with sapphire insert, Spray direction and number of inserts is variable, Max. pressure 1200 bar, With one or several sapphire inserts depending on requirements

Type	Bore-Ø (mm)	Thread G ISO 228	L1	L	D
SH 20	0.8-1.6	1/4"	14	20	20
SH 30	0.8-3.2	3/8"	16	30	30
SH 40	1.0-4.0	1/2"	20	40	40

Order example: SH 20 - Ø 2.0 - spray direction

Illu. 3



An electronic gear motor propels the nozzle lance with fixed high-pressure nozzle SH or all other nozzle types.

Available on request!

## Sapphire Nozzles

### High and maximum pressure

#### Characteristics

Monocrystalline sapphire with extremely high hardness and high abrasion resistance.

Vickers hardness: 3000-4000 HV  
Abrasion resistance: 1000 (according to Risoval), compared with steel 50-80

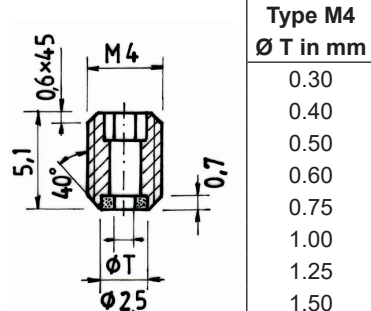
#### Application

High and maximum pressure smooth jet nozzles to be screwed into various rotating and fixed nozzle bodies

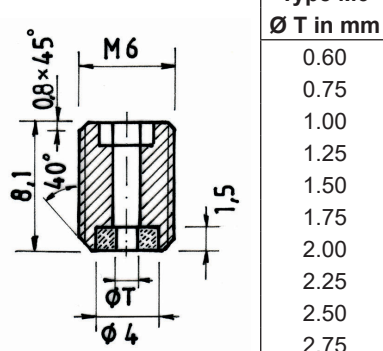
#### Material

Monocrystalline sapphire in a stainless steel basic body 1.4404

Illu. 4



Illu. 5



Illu. 6

