

Blow-off rail DL

Characteristics

Air is led into MC's blow-off rail via a special distributor. The result is a flat air jet with high force of impact. Highly space-saving design. Various connection variants available.

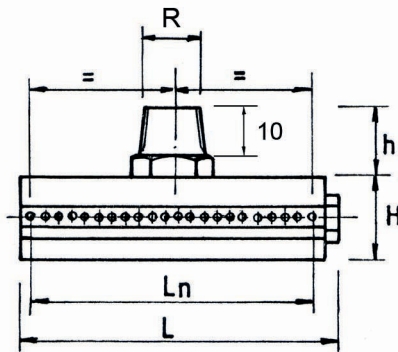
Application

Blowing-off
Drying
Cleaning
Transporting
Air curtains

Material

Brass
Stainless steel
Aluminium

Illu. 1

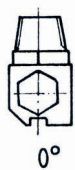


Type	R	Dimensions in mm			
	DIN 2999	Effective lgth. Ln	L	H	h
DL	1/4"	50	60	16	16

Other sizes available on request!

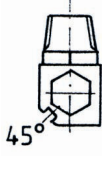
Type	Compressed air capacity in Nm ³ /h 20°C p (bar)						
	0.7 bar	2 bar	3 bar	4 bar	5 bar	6 bar	7 bar
DL 0.7	11.3	18.7	25.2	31.1	37.3	43.3	49.5
DL 0.9	15.1	26.5	36.7	46.4	55.9	64.5	72.5
DL 1.1	22.2	37.8	52.7	66.4	80.1	93.5	106.5

Illu. 2



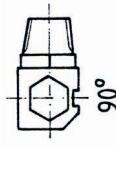
Variant 1
0°

Illu. 3



Variant 2
45°

Illu. 4



Variant 3
90°

Type	Compressed air capacity in l/min. 20°C p (bar)						
	0.7 bar	2 bar	3 bar	4 bar	5 bar	6 bar	7 bar
DL 0.7	188	312	420	515	621	722	826
DL 0.9	251	442	611	774	931	1,074	1,209
DL 1.1	371	631	878	1,108	1,339	1,557	1,801

Connection variants

Other variation possibilities available on request!

Order example: (thread - type - material)

R 1/4" - DL 1.1 - brass

Low-noise air comb LB

Characteristics

This low-noise air nozzle produces a flat air jet with high blowing intensity.

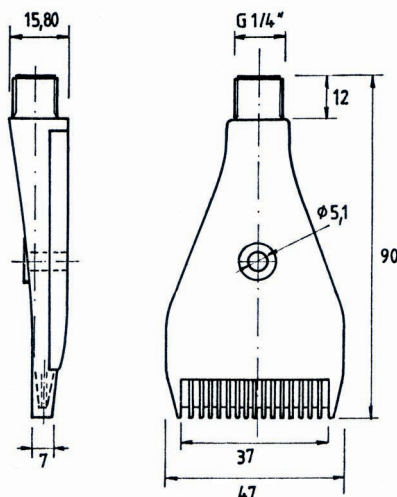
Application

Drying
Cooling
Cleaning
Transporting
Blowing-off
Air curtains

Material

Plastic
Operating pressure: 7 bar
Operating temperature:
ABS: max. 50° C
PPS: max. 70° C
Metal design available on request

Illu. 5



Type	Compressed air capacity in Nm ³ /h 20° C p (bar)						
	0.7 bar	2 bar	3 bar	4 bar	5 bar	6 bar	7 bar
LB 11	8.70	14.4	19.4	23.9	28.7	33.3	38.1
LB 15	11.6	20.4	28.2	35.7	43.0	49.6	55.8
LB 23	17.1	29.1	40.5	51.1	61.6	71.9	81.9

Type	Compressed air capacity in l/min. 20° C p (bar)						
	0.7 bar	2 bar	3 bar	4 bar	5 bar	6 bar	7 bar
LB 11	145	240	323	396	478	555	635
LB 15	193	340	470	595	716	826	930
LB 23	285	485	675	852	1,030	1,198	1,385