

## Pipe blow-down nozzle DRT

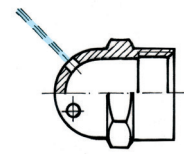
### Characteristics

Highly effective blow-down nozzle for pipe insides

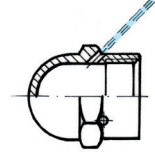
### Material

Brass  
Stainless steel

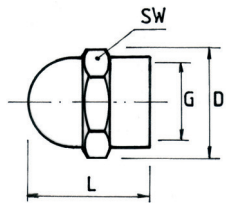
Onwards directed



Backwards directed



Illu. 1



Dimensions in mm				
Type + G	D	L	SW	
DRT 1/8"	13	18	14	
DRT 1/4"	16	28	19	
DRT 3/8"	21	30	22	
DRT 1/2"	26	34	27	
DRT 3/4"	31	40	32	
DRT 1"	35	48	36	

Bore-Ø (mm)	Compressed air capacity in (Nm³/h) 20°C at pressure p (bar) for 1 bore							
	1	2	3	4	5	6	7	8
0.5	0.18	0.26	0.35	0.44	0.53	0.61	0.70	0.79
0.7	0.41	0.62	0.83	1.03	1.24	1.45	1.66	1.86
1.0	0.70	1.05	1.39	1.74	2.09	2.44	2.80	3.15
1.5	1.69	2.55	3.40	4.24	5.08	5.94	6.79	7.63
2.0	3.01	4.52	6.02	7.49	9.03	10.6	12.0	13.6
2.5	5.71	8.60	11.5	14.3	17.2	20.1	23.0	25.8
3.0	8.25	12.3	16.5	20.6	24.8	28.9	33.0	37.3

Tangential air outlet available, see page 5.6.

## Shell blow-down nozzle DA

### Characteristics

Highly effective blow-down of generated surfaces (pipe outsides etc.).

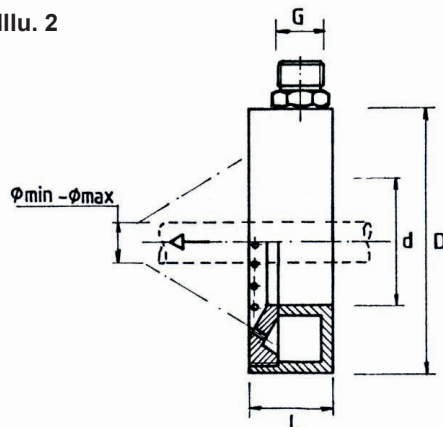
### Application

To blow-down outside pipes, wire etc.

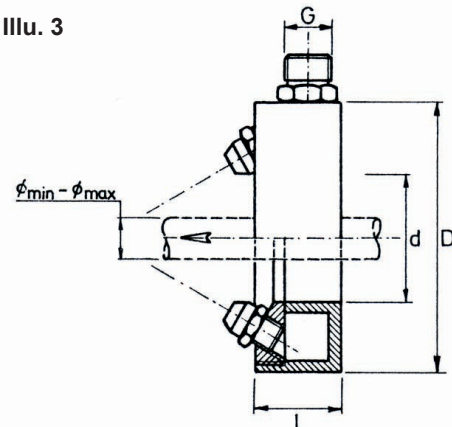
### Material

Brass  
Stainless steel

Illu. 2



Illu. 3



Dimensioning available on request!

## Blow-down pot DT

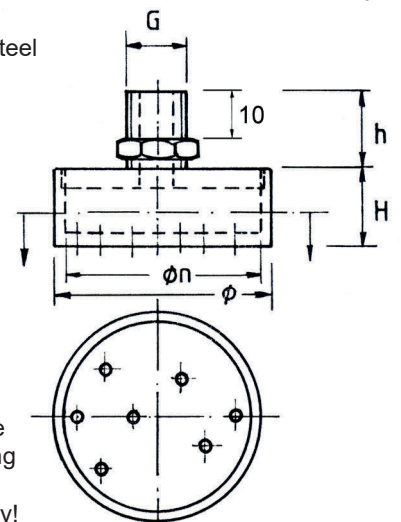
### Characteristics

Allows for highly effective blow-down of blind holes, also for the smallest areas and large number of bores.

### Material

Brass  
Stainless steel  
Aluminum

Illu. 4



Bore scheme corresponding to your part geometry!

Send us your part drawing!

Type	Thread ISO 228	Dimensions in mm			
		Use-Ø Dn	D	H	h
RT 1	1/4"	38	42	15	15
RT 2	3/8"	55	60	20	20

Other sizes available on request!