

## Fixed full cone nozzles

### Characteristics TVK

Multiplex nozzle heads with 13 full cone nozzles,  
 Spray coverage varies with nozzle equipping,  
 Large output (up to 1.370 l/min at 3 bar),  
 Heavy design for large cleaning performances .

### Application

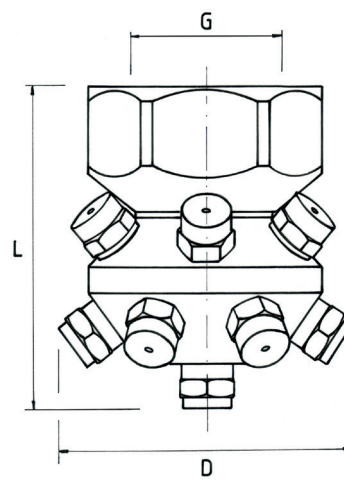
Difficult spraying media  
 Large tanks

### Material

Brass  
 Stainless steel

Order example: (thread - type - material) 1 1/2" - TVK 9 - 1.4404

Type	Flow rate $\dot{V}$ (l/min.) at pressure p				Thread G	Dimensions in mm		Max. tank-Ø in m
	bar 1.5	bar 2	bar 3	bar 3.5		L	D	
TVK 3.1	35	40	48	52	1 1/2"	114	114	3
TVK 6.3	70	80	97	104		114	114	
TVK 9	93	108	118	123		114	114	
TVK 12.5	155	177	215	230		121	127	
TVK 20	206	246	276	301		121	127	
TVK 25	280	320	390	415	3"	166	191	6
TVK 50	580	660	800	860		174	210	
TVK 71	1,000	1,130	1,370	1,470		183	229	

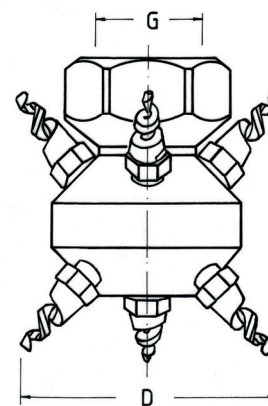


### Characteristics TVS

Multiplex nozzle heads equipped with spiral nozzles (see page 3.19).  
 Flow rate of 16-597 l/mm possible, depending on layout.

### Material

Brass  
 Stainless steel  
 PVC  
 Teflon



Type	Flow rate $\dot{V}$ (l/min.) at pressure p								Thread G	Dimensions D in mm	Max. tank-Ø in m
	0.7 bar	1 bar	1.5 bar	2 bar	3 bar	4 bar	5 bar	7 bar			
TVS 6	16.0	19.1	23.4	27.1	33.2	38.3	42.8	50.6	3/4"	114	0.5
TVS 8	30.5	36.5	44.7	51.6	63.2	72.9	81.5	96.5			1.0
TVS 10	47.7	57.0	69.8	80.6	98.7	114	127	151			1.5
TVS 12	68.6	82.0	100	116	142	164	183	217	1"	133	2.0
TVS 14	92.7	111	136	157	192	222	248	293			2.2
TVS 16	120	144	176	203	249	287	321	380			2.4
TVS 20	189	226	276	319	391	451	504	597			2.6