

Cleaning Rail RL

MC

Characteristics

Liquid is guided into MC's cleaning rail **RL** with the help of a special distributor.
A linear, especially powerful flat spray with maximum force of impact is created due to the bore rail.
Supremely space-saving design.
Various connection variants available.

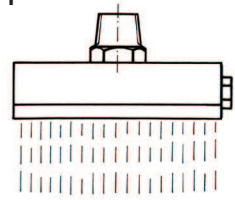
Application

Cleaning, rinsing,
swarf removal, blowing-off

Material

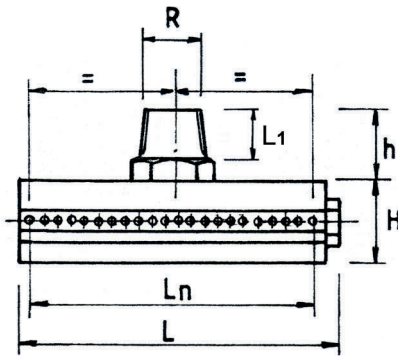
Brass, stainless steel, POM
Other materials on request

Illu. 1



Powerful flat spray

Illu. 2



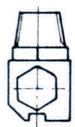
Cleaning rail RL

Type	R DIN 2999	Dimensions in mm				
		Effe. lngth. Ln	L	L1	H	h
RL 1	1/4"	50	60	10	16	16
RL 2	3/8"	100	110	10	20	16
RL 3	1/2"	150	162	13	25	18

Other sizes on request!

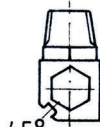
Plastic nozzles can feature different SWs.

Illu. 3



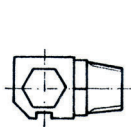
Variant 1
0°

Illu. 4



Variant 2
45°

Illu. 5



Variant 3
90°

Connection variants

Other variation possibilities on request!

Order example:

(type - variant - material) **RL 1 - variant 3 - VA**

Type	Bore- \emptyset (mm)	Bore number	Flow rate \dot{V} (l/min.) at pressure p (bar)							
			1 bar	2 bar	3 bar	4 bar	5 bar	7 bar	10 bar	
RL 1	1.0	21	10.4	14.7	18.1	20.7	23.2	27.5	32.9	
RL 2	1.5	34	36.2	51.0	62.7	71.9	80.6	95.4	114	
RL 3	2.0	36	61.6	86.8	106	122	137	162	194	

Other bore- \emptyset on request!

Cleaning Pot RT

Characteristics

MC's cleaning pot **RT** is a special nozzle system, enabling precise spraying or blowing down

of aligned parts with the help of bores closely adjacent to each other.
The spray pattern is manufactured according to your machine parts. A zero mark allows for precise positioning, fixated with a lock nut.

Application

Cleaning
Rinsing

Swarf removal at
blowing-down of
blind holes

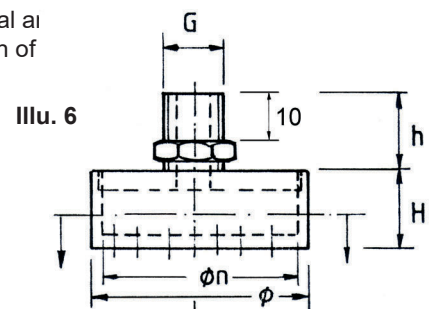
Material

Brass
Stainless steel

Send us your parts diagram!

Type	Thread ISO 228	Effe- \emptyset Dn	Dimensions in mm			Max. flow rate \dot{V} (l/min.) at 3 bar
			D	H	h	
RT 1	1/4"	38	42	15	15	23
RT 2	3/8"	55	60	20	20	68

Other sizes on request!



Illu. 6

Bore pattern
according to
your part geo-
metry!