

Characteristics

Steam cooling nozzles **HH** are unary nozzles creating particularly fine droplets, and thus allow for the condensate's complete evaporation and the prevention of corrosion.

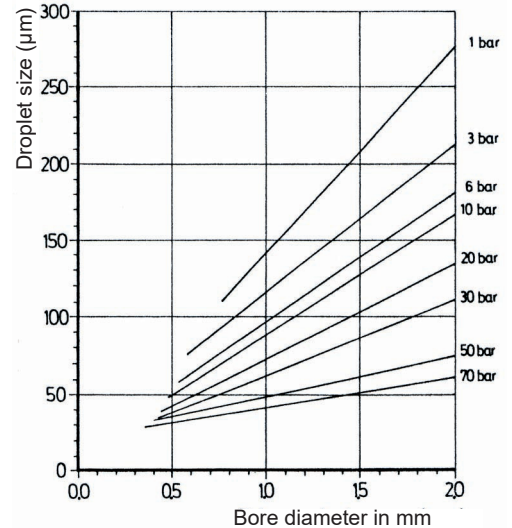
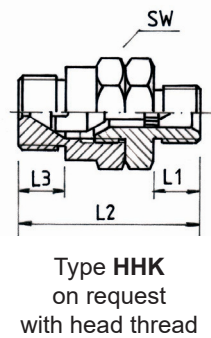
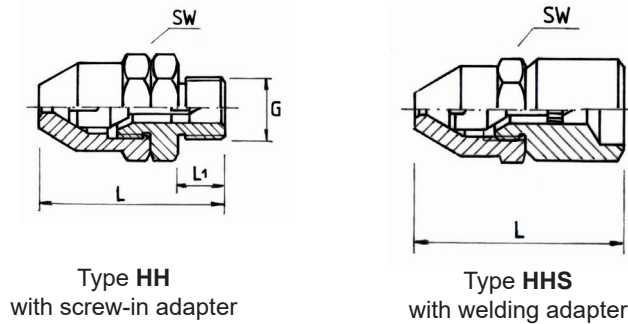
Fine droplets come about by means of high injection pressure, high condensate temperatures and the utilization of many small nozzles with potentially large spray angles.

Minimal pressure: 2-3 bar. Higher pressures allow for better control behavior and adjustment to operating conditions.

Minimal evaporation line: 6-8m.

Spray pattern: standard hollow cone; full cone also available.

Material: 1.4404



Thread G	L	I1	SW
1/4"	40	10	19
3/8"	48	12	24
1/2"	56	14	27
3/4"	72	16	36

Order example: (Thread - type - material) **G 3/8" - HH 12 - V 2A**, intermediate sizes available on request

Thread G ISO 228	Type	Bore- Ø (mm)	Flow rate \dot{V} (l/min.) at pressure p (bar)																
			1	2	3	4	6	8	10	12	14	16	18	20	22	24	26	28	30
G 1/4"	HH 0,5	1.1	0.27	0.38	0.47	0.54	0.66	0.77	0.86	0.94	1.02	1.09	1.16	1.22	1.28	1.34	1.39	1.45	1.50
	HH 1	1.6	0.58	0.81	1.00	1.16	1.43	1.64	1.83	1.99	2.15	2.30	2.44	2.57	2.70	2.82	2.93	3.04	3.15
	HH 2	2.3	1.19	1.68	2.06	2.38	2.92	3.37	3.76	4.13	4.45	4.76	5.05	5.33	5.60	5.84	6.07	6.30	6.53
	HH 3	2.8	1.76	2.48	3.05	3.52	4.32	4.98	5.57	6.10	6.60	7.05	7.46	7.87	8.25	8.62	8.97	9.31	9.65
	HH 4	3.2	2.30	3.26	4.00	4.62	5.65	6.52	7.30	8.00	8.65	9.25	9.80	10.32	10.82	11.30	11.80	12.20	12.65
	HH 5	3.6	2.92	4.12	5.05	5.83	7.20	8.30	9.25	10.15	10.90	11.70	12.40	13.10	13.75	14.35	14.90	15.50	16.05
	HH 6	3.9	3.40	4.80	5.90	6.82	8.35	9.63	10.75	11.90	12.85	13.70	14.60	15.35	16.10	16.80	17.50	18.20	18.80
	HH 7	4.2	3.98	5.63	6.90	7.95	9.75	11.30	12.60	13.80	14.90	16.00	16.90	17.80	18.70	19.55	20.35	21.10	21.80
	HH 8	4.5	4.55	6.45	7.90	9.10	11.20	12.90	14.40	15.85	17.10	18.30	19.40	20.50	21.45	22.40	23.35	24.20	25.20
G 3/8"	HH 9	4.8	5.20	7.35	9.00	10.40	12.75	14.70	16.50	18.00	19.40	20.80	22.20	23.25	24.40	25.45	26.50	27.50	28.45
	HH 10	5	5.60	7.95	9.75	11.13	13.80	15.90	17.80	19.50	21.20	22.55	23.90	25.20	26.40	27.60	28.70	29.80	30.80
	HH 12	5.5	6.80	9.65	11.80	13.60	16.70	19.25	21.50	23.70	25.60	27.40	29.00	30.60	32.10	33.60	34.90	36.20	37.50
G 1/2"	HH 14	6	8.10	11.40	14.00	16.20	19.80	22.80	25.80	28.20	30.50	32.60	34.60	36.40	38.20	40.00	41.60	43.20	44.65
	HH 19	7	11.00	15.60	19.10	22.00	27.00	31.20	34.80	38.40	41.50	44.30	47.00	49.60	52.00	54.40	56.50	58.60	60.80
G 3/4"	HH 25	8	14.40	20.40	25.00	28.80	35.40	40.80	45.70	50.00	54.00	57.60	61.25	64.50	67.80	70.70	74.60	76.50	79.20
	HH 39	10	22.50	31.80	39.00	45.00	55.20	63.70	71.50	78.40	84.60	90.50	96.00	101	106	111	115	120	124
	HH 47	11	27.20	38.40	47.00	54.50	66.50	77.00	86.00	94.60	102	109	116	122	128	134	139	145	150