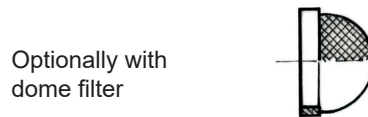
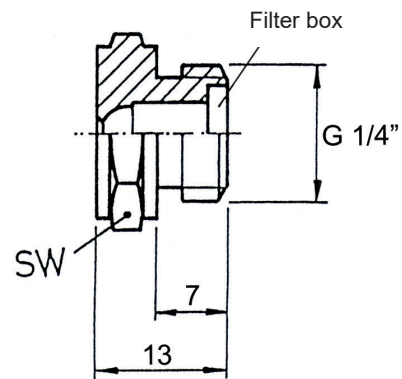


MC nozzles for mining are marked with the additional letter B. These nozzles have cylindrical threads and inclusions for dome filters. The nozzles are metered at a pressure of 5 bar.

### Flat fan nozzles FGB

Spray angles are available: **20°-30°-45°-60°-90°-120°**

Type	Equiv. bore (mm)	Flow rate $\dot{V}$ (l/min.) at pressure p (bar)					
		0.5	1	2	3	5	10
FGB 0.6	0.80	0.19	0.27	0.38	0.46	0.60	0.85
FGB 1	1.00	0.32	0.45	0.63	0.77	1.00	1.41
FGB 1.5	1.20	0.47	0.67	0.95	1.16	1.50	2.12
FGB 2	1.35	0.63	0.89	1.26	1.55	2.00	2.83
FGB 2.5	1.50	0.79	1.12	1.58	1.94	2.50	3.54
FGB 3	1.65	0.95	1.34	1.90	2.32	3.00	4.24
FGB 4	2.00	1.26	1.79	2.53	3.10	4.00	5.64
FGB 5	2.20	1.50	2.24	3.16	3.87	5.00	7.07
FGB 6	2.50	1.90	2.68	3.79	4.56	6.00	8.49
FGB 7.5	2.70	2.37	3.35	4.74	5.81	7.50	10.61
FGB 10	3.00	3.16	4.47	6.32	7.75	10.00	14.14
FGB 13	3.50	4.11	5.81	8.22	10.07	13.00	18.38
FGB 16	4.00	5.06	7.16	10.12	12.39	16.00	22.63
FGB 20	4.50	6.32	8.94	12.65	15.49	20.00	28.28
FGB 35	5.00	7.91	11.18	15.81	19.36	25.00	35.36

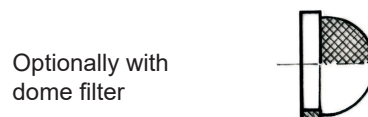
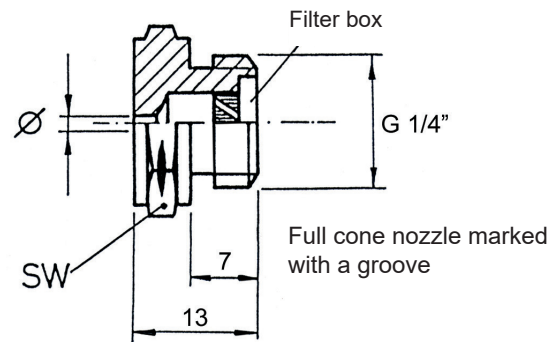


**Material:** Brass or stainless steel

### Full cone nozzles VGR

Spray angles are available: **45°-60°-90°**

Type	Flow rate $\dot{V}$ (l/min.) at pressure p (bar)					
	0.5	1	2	3	5	10
VGR 0.6	0.19	0.27	0.38	0.47	0.60	0.85
VGR 1	0.32	0.45	0.64	0.78	1.00	1.42
VGR 1.5	0.47	0.67	0.95	1.16	1.50	2.12
VGR 2	0.63	0.89	1.26	1.54	2.00	2.31
VGR 2.5	0.79	1.12	1.58	1.94	2.50	3.54
VGR 3	0.95	1.34	1.90	2.32	3.00	4.24
VGR 4	1.27	1.79	2.53	3.10	4.00	5.66
VGR 5	1.58	2.24	3.17	3.88	5.00	7.08
VGR 6	1.90	2.68	3.79	4.64	6.00	8.47



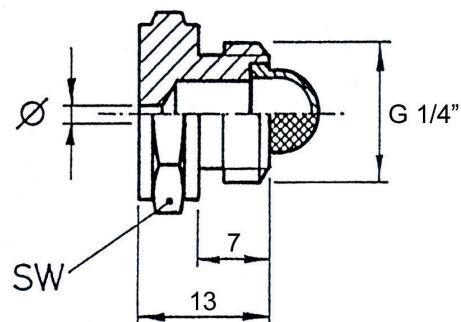
**Material:** Brass or stainless steel

Standard: Stainless steel with brass swirler

### Solid stream nozzles GGB

Type	Bore B (mm)	Flow rate $\dot{V}$ (l/min.) at pressure p (bar)					
		0.5	1	2	3	5	10
GGB 0.3	0.50	0.09	0.13	0.18	0.23	0.30	0.41
GGB 0.4	0.59	0.13	0.18	0.25	0.31	0.40	0.57
GGB 0.6	0.70	0.19	0.27	0.38	0.47	0.60	0.85
GGB 1	0.85	0.32	0.45	0.64	0.78	1.00	1.42
GGB 1.5	1.00	0.47	0.67	0.95	1.16	1.50	2.12
GGB 2.5	1.40	0.79	1.12	1.58	1.94	2.50	3.54
GGB 4	1.70	1.27	1.79	2.53	3.10	4.00	5.66
GGB 6	2.20	1.90	2.68	3.79	4.64	6.00	8.47
GGB 8	2.45	2.53	3.58	5.06	6.20	8.00	11.32
GGB 10	2.75	3.16	4.47	6.32	7.74	10.00	14.14
GGB 16	3.20	5.06	7.16	10.13	12.40	16.00	22.64
GGB 25	4.30	7.91	11.18	15.81	19.36	25.00	35.35
GGB 40	5.50	12.65	17.89	25.30	30.99	40.00	56.57

This solid stream nozzle is displayed with dome filter.



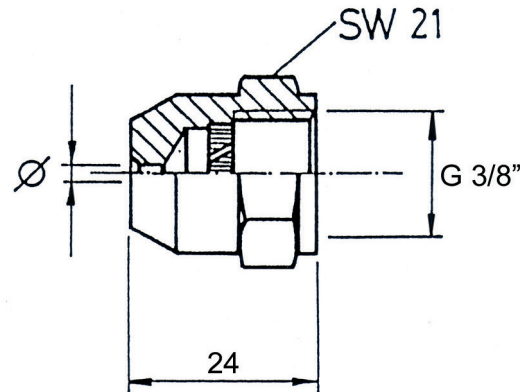
**Material:** Brass or stainless steel

## Hollow cone nozzles HGB

Spray angles are available: **60°-90°**

Type	Bore (mm)	Flow rate $\dot{V}$ (l/min.) at pressure p (bar)					
		0.5	1	2	3	5	10
HGB 0.5	1.0	0.16	0.22	0.32	0.39	0.50	0.71
HGB 0.8	1.2	0.18	0.36	0.51	0.62	0.80	1.13
HGB 1	1.3	0.32	0.45	0.63	0.77	1.00	1.41
HGB 1.5	1.7	0.47	0.67	0.95	1.16	1.50	2.12
HGB 2	1.9	0.63	0.89	1.26	1.55	2.00	2.83
HGB 3	3.3	0.95	1.34	1.90	2.32	3.00	4.24
HGB 4	3.5	1.26	1.79	2.53	3.10	4.00	5.66
HGB 6	4.0	1.90	2.68	3.79	4.65	6.00	8.49
HGB 8	4.4	2.53	3.58	5.06	6.20	8.00	11.32

**Material:** Brass or stainless steel

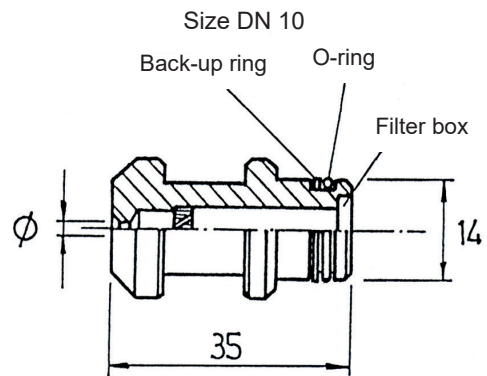


## Full cone nozzles Stecko VSB

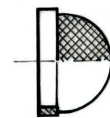
Spray angles are available: **45°-60°-90°**

Type	Flow rate $\dot{V}$ (l/min.) at pressure p (bar)					
	0.5	1	2	3	5	10
VSB 0.6	0.19	0.27	0.38	0.47	0.60	0.85
VSB 1	0.32	0.45	0.64	0.78	1.00	1.42
VSB 1.5	0.47	0.67	0.95	1.16	1.50	2.12
VSB 2	0.63	0.89	1.26	1.54	2.00	2.81
VSB 2.5	0.79	1.12	1.58	1.94	2.50	3.54
VSB 3	0.95	1.34	1.90	2.32	3.00	4.24
VSB 4	1.27	1.79	2.53	3.10	4.00	5.66
VSB 5	1.58	2.24	3.17	3.88	5.00	7.08
VSB 6	1.90	2.68	3.79	4.64	6.00	8.47

**Material:** Brass or stainless steel



Optionally with dome filter



## Full cone nozzles VDB

With male and female thread

Spray angles are available: **45°-60°-90°**

Type	Flow rate $\dot{V}$ (l/min.) at pressure p (bar)					
	0.5	1	2	3	5	10
VDB 2.5	0.79	1.12	1.58	1.94	2.50	3.54
VDB 5	1.58	2.24	3.17	3.88	5.00	7.08
VDB 7.5	2.37	3.35	4.47	5.80	7.50	10.59
VDB 10	3.16	4.47	6.32	7.74	10.00	14.14
VDB 13	4.11	5.81	8.22	10.06	13.00	18.37

**Material:** Brass or stainless steel

