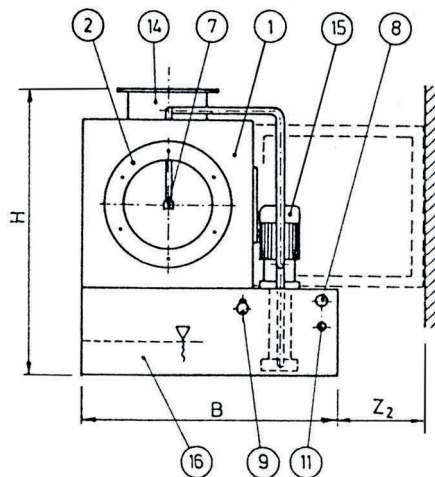
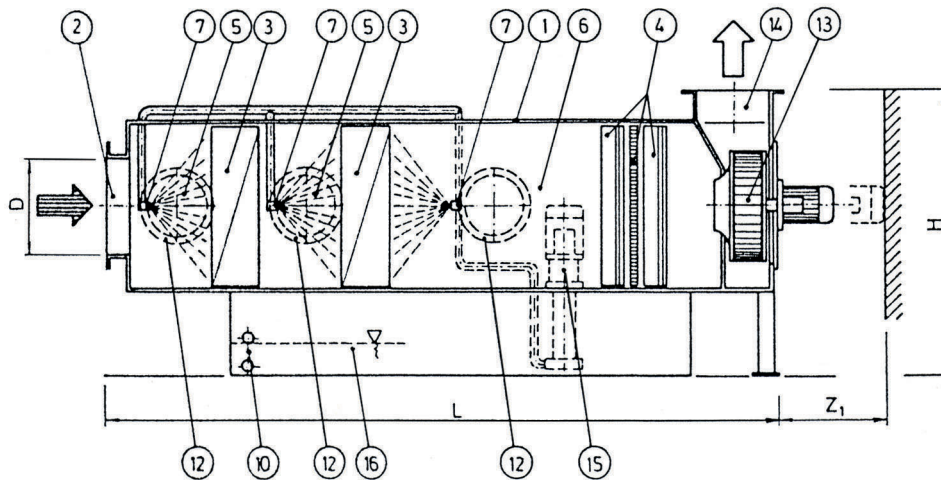


## Technical specifications



### Component descriptions:

- |   |   |
|---|---|
| 1. Basic housing made from plastic or stainl. steel   | 10. Overflow and system overflow                                  |
| 2. Intake socket                                      | 11. Prepared connections for a neutralization of the water supply |
| 3. 2 packed beds made from plastic or stainless steel | 12. 3 cleaning openings   |
| 4. Double droplet separator system with fine filter   | 13. Suction fan with rotor made from plastic or stainless steel   |
| 5. Washing zones 1 and 2                              | 14. Connection socket for exhaust air pipe                        |
| 6. Fly and washing zone                               | 15. Pump  |
| 7. 3 spray bars with nozzles                          | 16. Water supply container  |
| 8. Float switch                                       |   |
| 9. Solenoid valve                                     |   |

Performance specifications can only be given for individual cases. Please request more information or a direct offer based on your specific requirements.