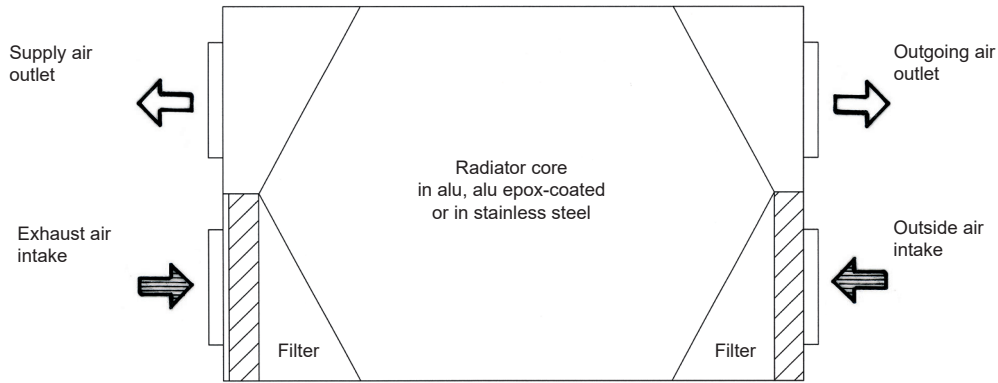
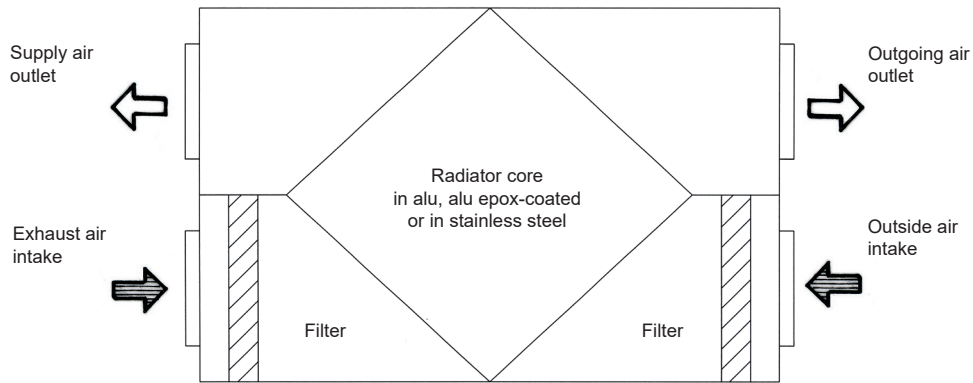


# Air Cooler

## Counterflow cooler

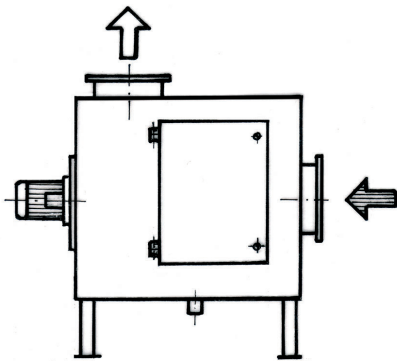


## Cross-flow cooler



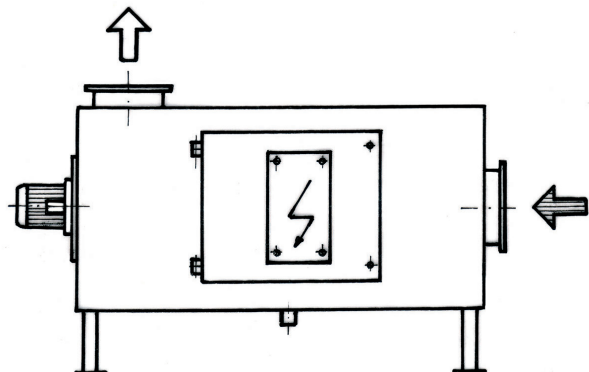
# Oil Mist Separator

Oil mist separator with integrated ventilator ÖV



Suction capacity from 500 m<sup>3</sup>/h

Electrostatic oil mist separator EÖV



Suction capacity from 500 m<sup>3</sup>/h