

Round heads DK and DKQ

Characteristics

Space-saving and very effective, fan-shaped multi-channel nozzle used to blow off surfaces. Noticeably reduced noise level, high blowing force and low air consumption.

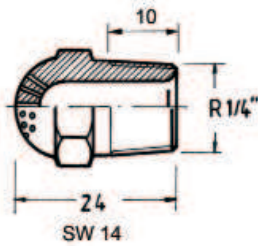
Application

Blowing off surfaces

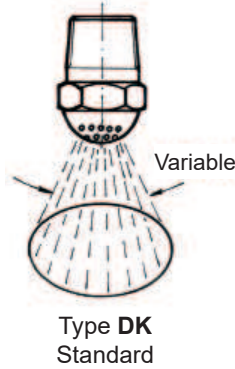
Material

Brass
Stainless steel

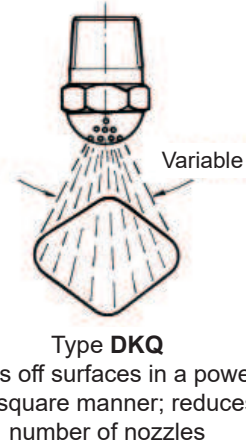
Illu. 1



Illu. 2



Illu. 3



DK respectively DKQ bore-Ø = 0,7 mm

Type and spray angle	Number of bores	Compress. air capacity in Nm ³ /h 20° C p (bar)								Saturated steam capacity (kg/h)							
		bar 1	bar 2	bar 3	bar 4	bar 5	bar 6	bar 7	bar 8	bar 1	bar 2	bar 3	bar 4	bar 5	bar 6	bar 7	bar 8
DK resp. DKQ - 15°	5	4.10	6.20	8.30	10.3	12.4	14.5	16.6	18.6	3.20	4.80	6.50	8.10	9.70	11.3	13.0	14.9
DK resp. DKQ - 30°	7	6.56	9.92	13.3	16.5	19.8	23.2	26.6	29.8	5.10	7.70	10.4	13.0	15.5	18.1	20.8	23.8
DK resp. DKQ - 45°	11	9.02	13.6	18.3	22.7	27.3	31.9	36.5	40.9	7.00	10.6	14.3	17.8	21.3	24.9	28.6	32.8
DK resp. DKQ - 60°	17	11.5	17.4	23.2	28.8	34.7	40.6	46.5	52.1	9.00	13.4	18.2	22.7	27.2	31.6	36.4	41.7

Rotating air nozzle DR

Characteristics

MC's rotating air nozzle DR self-rotating and self-propelled by air pressure. Rotation velocity is adjusted by inclining the two air nozzles. If required, different nozzle sizes with a Ø of 1.5 - 3 mm may be used.

Application

Blowing off large surfaces at low air consumption. Components are routed past the nozzles.

Material

Made from stainless steel
Teflon or ball bearing

Abb. 4

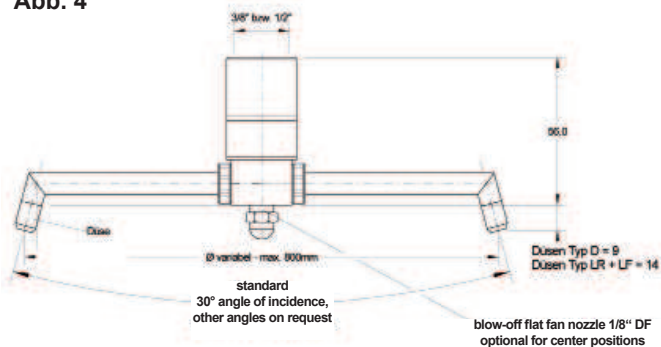


Abb. 5

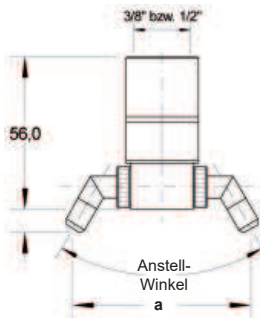
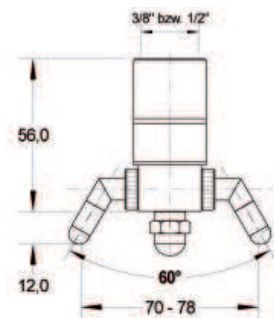


Abb. 6



Standard variant DR

Air knife
Typ DR-D
(preferably for parts moved alongside)

Blow-off surface cleaner
Typ DR-F
(preferably for stationary parts)

Detailed information on request!
Differing sizes available on request!