

water-cooled

MC produces vent condensers made from plastics or stainless steel for the purposes of recovering aerosols and clouds of steam. Thereby, water consumption and heating needs are substantially decreased.

Einsatzgebiet: For industrial single-chamber and continuous batch-type washing machines

Advantages:

- Compact product with ventilator rotor made from plastic and stainless steel
- Independent of ambient air
- Temperature of cooling water may be up to 25°C
- No exhaust air pipes across the roof required

Function: The washing process results in steam clouds. These are drawn from the system with the help of a ventilator and flow across the radiator core in the vent condenser. Cooling water flows through the core. Due to the difference in temperature between steam and the radiator core surface, the steam clouds are condensed. The air is now saturated with droplets which are filtered and retained in the adjoining droplet separator. In a final step, the exhaust air can now be discharged back into the room while the condensate flows back into the system or a water treatment unit.

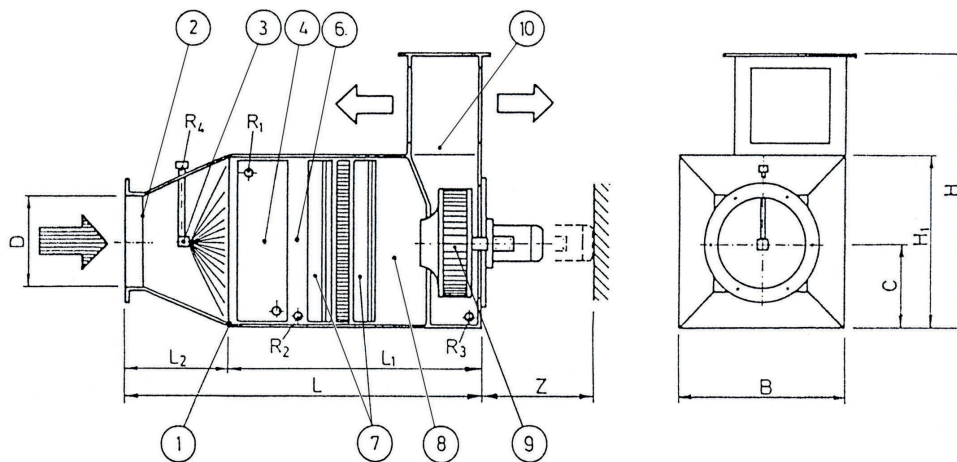
Technical specifications

Referencing the horizontal design. Please request specifications for the vertical design!

Exhaust air m ³ /h	Dimensions in mm													Cool. water m ³ /h	kW
	B	C	H ₁	H	L ₁	L ₂	L	Z	D	R ₁	R ₂	R ₃	R ₄		
1,500	764	327	654	1,194	1,300	370	1,670	600	250	1"	1 1/2"	1/2"	1/2"	6.2	0.75
2,500	864	401	802	1,342	1,350	450	1,800	650	315	1 1/4"	1 1/2"	1/2"	1/2"	8.0	1.50
3,500	886	446	892	1,432	1,400	500	1,900	650	355	1 1/2"	2"	1/2"	1/2"	9.9	1.50
4,500	986	446	892	1,432	1,400	500	1,900	650	400	1 1/2"	2"	1"	1/2"	12.7	2.20
5,500	986	526	1,052	1,592	1,450	570	2,020	700	500	2"	2"	1"	1"	15.6	3.00
7,500	1,190	586	1,172	1,712	1,700	630	2,330	800	600	2"	2"	1"	1"	21.2	4.00

Greater exhaust air capacities available on request!

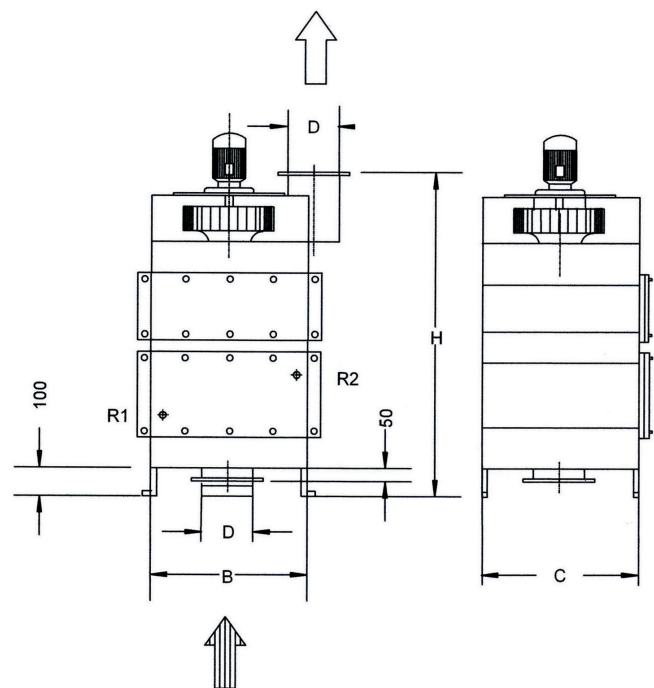
Horizontal design:



Component descriptions:

1. Housing made from plastic or stainl. steel
2. Intake socket with inlet guiding cone
3. Rinsing unit with cleaning noozles
4. Radiator (epox-coated)
6. Fly zone
7. Droplet separator made from plastic or stainless steel
8. Post-condensation
9. Suction fan with rotor made from plastic or stainless steel
10. Exhaust opening with coarse particle separator made from stainless steel

Vertical design:



Accessories:

1. There is no need for a cooling water system if the cooling unit is installed on top of the vent condenser.
2. Sucked air from the vent condensers can be heated with the help of an air heater and then used to dry parts.